

RP2040 Stamp

Datasheet

Version v0.2 alpha



Solder Party AB

www.solder.party

Contents

1 Overview	4
1.1 Block Diagram	5
2 Pin Description	6
2.1 Pin Layout	6
2.2 Pin Description	7
3 Functional Description	9
3.1 MCU	9
3.2 Memory	9
3.3 Crystal Oscillator	9
3.4 Interface Description	9
4 Electrical Characteristics	9
4.1 Electrical Characteristics	9
4.2 Power Consumption	9
5 Schematics	9
6 Peripheral Schematics	9
7 Dimensions	10
8 Recommended PCB Land Pattern	11
9 Revision History	12
10 Legal Notices	12

List of Tables

1	The pin descriptions of the RP2040 Stamp	8
---	--	---

List of Figures

1	The RP2040 Stamp module	4
2	The RP2040 Stamp block diagram	5
3	The pin layout of the RP2040 Stamp (Top View)	6
4	The dimensions of the RP2040 Stamp	10

1 Overview

The RP2040 Stamp is a highly integrated surface-mount module designed around the Raspberry Pi® RP2040 microcontroller.

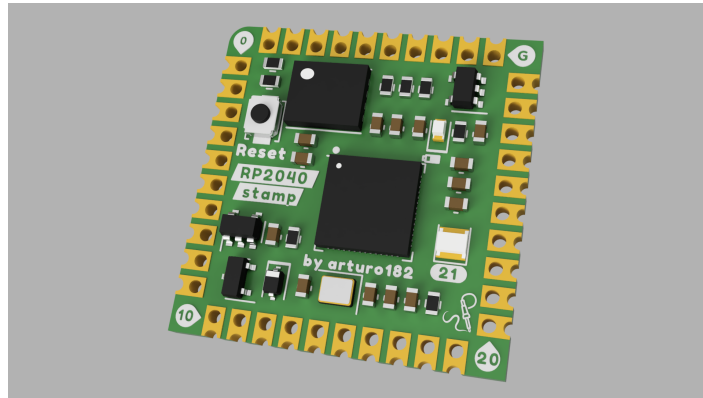


Figure 1: The RP2040 Stamp module

1.1 Block Diagram

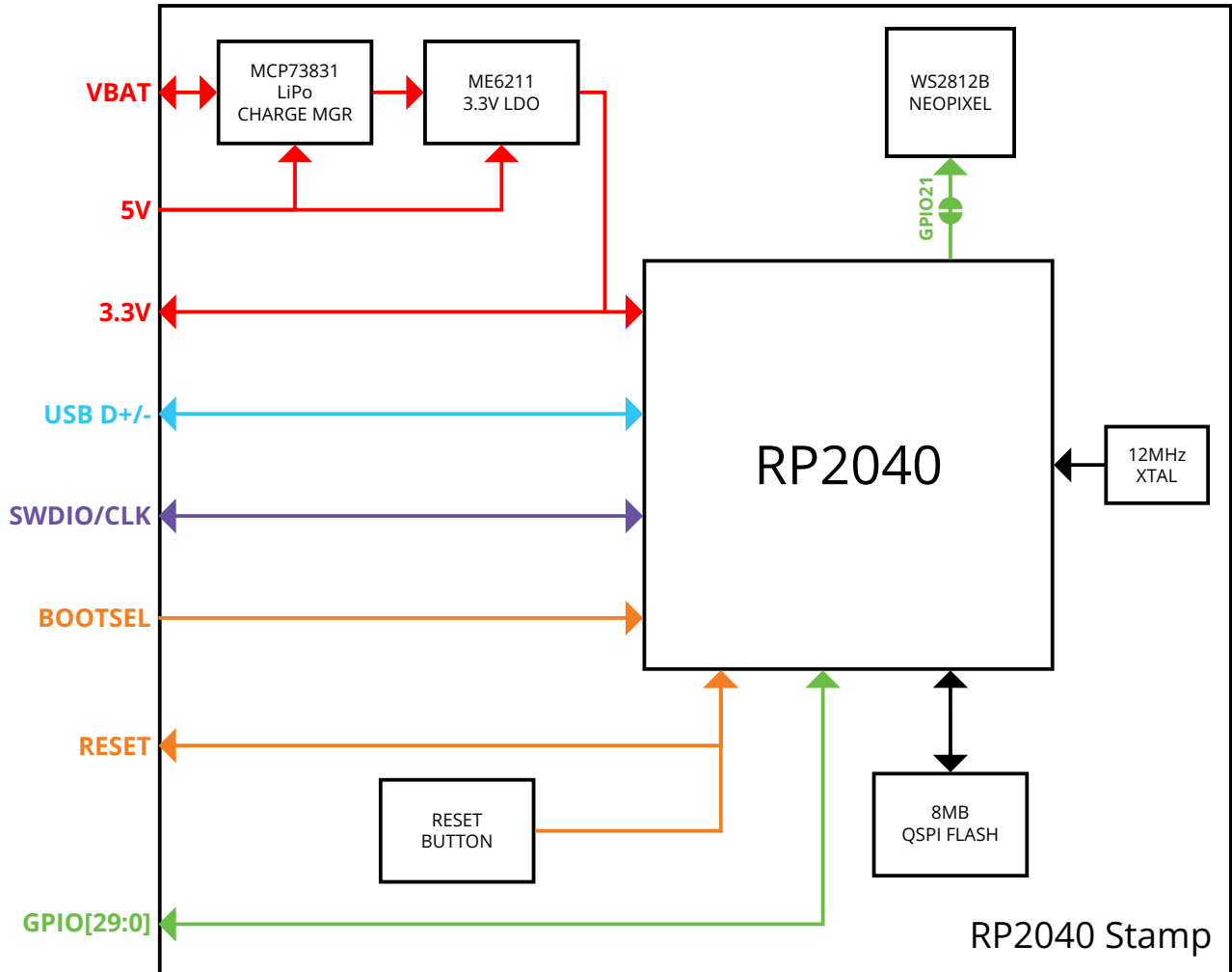


Figure 2: The RP2040 Stamp block diagram

2 Pin Description

2.1 Pin Layout

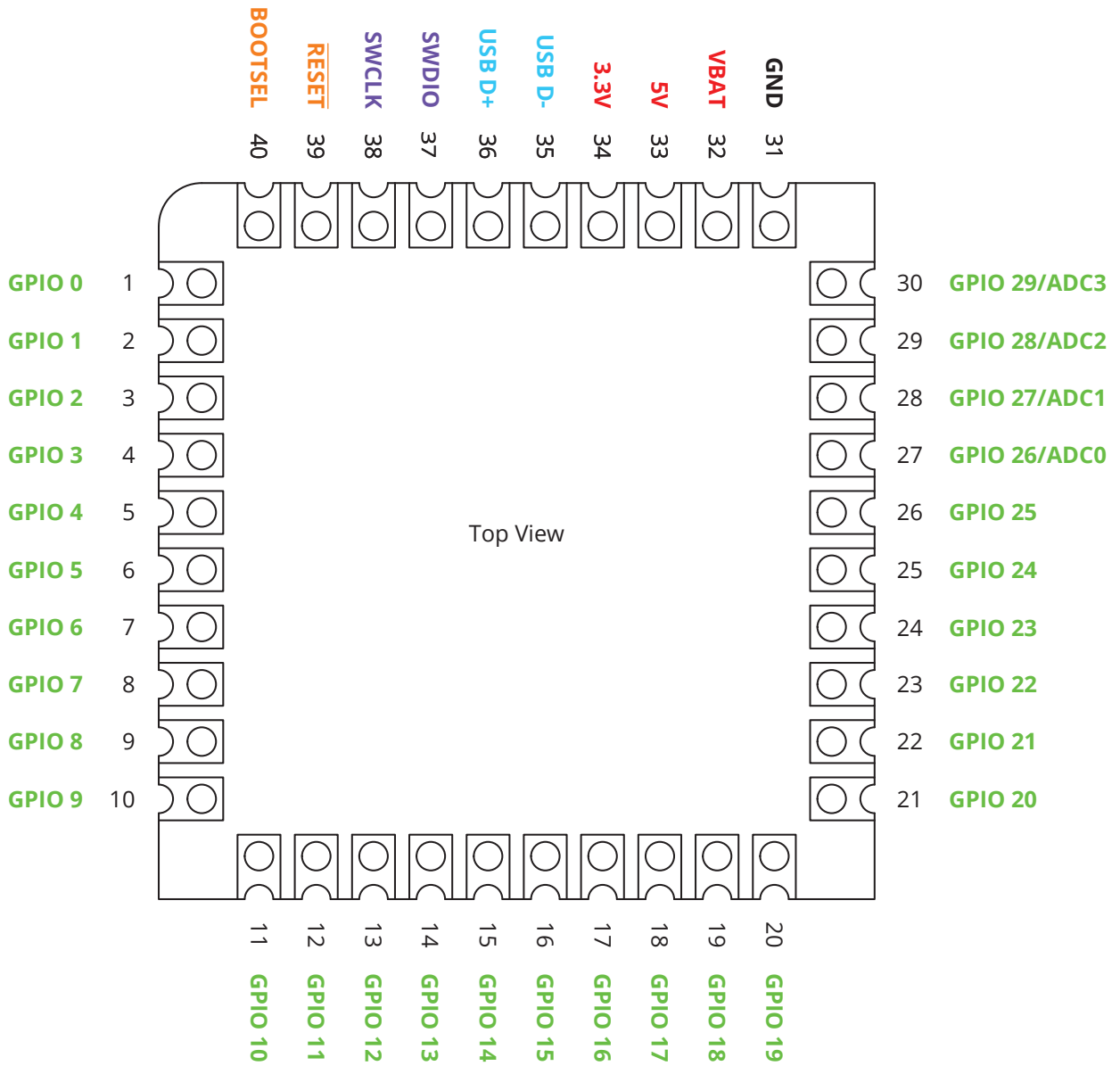


Figure 3: The pin layout of the RP2040 Stamp (Top View)

2.2 Pin Description

Pin	Name	Type	Description/Functions					
1	GPIO0	GPIO	GPIO0	SPI0 RX	UART0 TX	I2C0 SDA	PWM0 A	
2	GPIO1	GPIO	GPIO1	SPI0 CSn	UART0 RX	I2C0 SCL	PWM0 B	
3	GPIO2	GPIO	GPIO2	SPI0 SCK	UART0 CTS	I2C1 SDA	PWM1 A	
4	GPIO3	GPIO	GPIO3	SPI0 TX	UART0 RTS	I2C1 SCL	PWM1 B	
5	GPIO4	GPIO	GPIO4	SPI0 RX	UART1 TX	I2C0 SDA	PWM2 A	
6	GPIO5	GPIO	GPIO5	SPI0 CSn	UART1 RX	I2C0 SCL	PWM2 B	
7	GPIO6	GPIO	GPIO6	SPI0 SCK	UART1 CTS	I2C1 SDA	PWM3 A	
8	GPIO7	GPIO	GPIO7	SPI0 TX	UART1 RTS	I2C1 SCL	PWM3 B	
9	GPIO8	GPIO	GPIO8	SPI1 RX	UART1 TX	I2C0 SDA	PWM4 A	
10	GPIO9	GPIO	GPIO9	SPI1 CSn	UART1 RX	I2C0 SCL	PWM4 B	
11	GPIO10	GPIO	GPIO10	SPI1 SCK	UART1 CTS	I2C1 SDA	PWM5 A	
12	GPIO11	GPIO	GPIO11	SPI1 TX	UART1 RTS	I2C1 SCL	PWM5 B	
13	GPIO12	GPIO	GPIO12	SPI1 RX	UART0 TX	I2C0 SDA	PWM6 A	
14	GPIO13	GPIO	GPIO13	SPI1 CSn	UART0 RX	I2C0 SCL	PWM6 B	
15	GPIO14	GPIO	GPIO14	SPI1 SCK	UART0 CTS	I2C1 SDA	PWM7 A	
16	GPIO15	GPIO	GPIO15	SPI1 TX	UART0 RTS	I2C1 SCL	PWM7 B	
17	GPIO16	GPIO	GPIO16	SPI0 RX	UART0 TX	I2C0 SDA	PWM0 A	
18	GPIO17	GPIO	GPIO17	SPI0 CSn	UART0 RX	I2C0 SCL	PWM0 B	
19	GPIO18	GPIO	GPIO18	SPI0 SCK	UART0 CTS	I2C1 SDA	PWM1 A	
20	GPIO19	GPIO	GPIO19	SPI0 TX	UART0 RTS	I2C1 SCL	PWM1 B	
21	GPIO20	GPIO	GPIO20	SPI0 RX	UART1 TX	I2C0 SDA	PWM2 A	
22	GPIO21	GPIO	GPIO21	SPI0 CSn	UART1 RX	I2C0 SCL	PWM2 B	
23	GPIO22	GPIO	GPIO22	SPI0 SCK	UART1 CTS	I2C1 SDA	PWM3 A	
24	GPIO23	GPIO	GPIO23	SPI0 TX	UART1 RTS	I2C1 SCL	PWM3 B	
25	GPIO24	GPIO	GPIO24	SPI1 RX	UART1 TX	I2C0 SDA	PWM4 A	
26	GPIO25	GPIO	GPIO25	SPI1 CSn	UART1 RX	I2C0 SCL	PWM4 B	
27	GPIO26 / ADC0	GPIO / ADC	GPIO26	SPI1 SCK	UART1 CTS	I2C1 SDA	PWM5 A	ADC0
28	GPIO27 / ADC1	GPIO / ADC	GPIO27	SPI1 TX	UART1 RTS	I2C1 SCL	PWM5 B	ADC1
29	GPIO28 / ADC2	GPIO / ADC	GPIO28	SPI1 RX	UART0 TX	I2C0 SDA	PWM6 A	ADC2
30	GPIO29 / ADC3	GPIO / ADC	GPIO29	SPI1 CSn	UART0 RX	I2C0 SCL	PWM6 B	ADC3
31	GND	Power	Ground					

Pin	Name	Type	Description/Functions
32	VBAT	Power	Can be connected to the positive terminal of a single cell LiPo/Lilon. Voltage range 3.6V-4.2V
33	5V	Power Input	3.6V-6.5V main power input
34	3.3V	Power Output	3.3V±2% LDO power output, 500mA max
35	USB D-	I/O	USB D-
36	USB D+	I/O	USB D+
37	SWDIO	I/O	Serial Wire Debug Input/Output
38	SWCLK	Input	Serial Wire Debug Clock
39	$\overline{\text{RESET}}$	Input	RP2040 reset when driven LOW, run when driven HIGH. Pulled UP with a 10K resistor.
40	BOOTSEL	Input	If driven LOW during power-up, the RP2040 will enter USB boot mode. Pulled UP with a 10K resistor.

Table 1: The pin descriptions of the RP2040 Stamp

For more details about the GPIO and other pins of the RP2040, please consult the [Raspberry Pi RP2040 Datasheet](#).

3 Functional Description

3.1 MCU

3.2 Memory

3.3 Crystal Oscillator

3.4 Interface Description

4 Electrical Characteristics

4.1 Electrical Characteristics

4.2 Power Consumption

5 Schematics

6 Peripheral Schematics

7 Dimensions

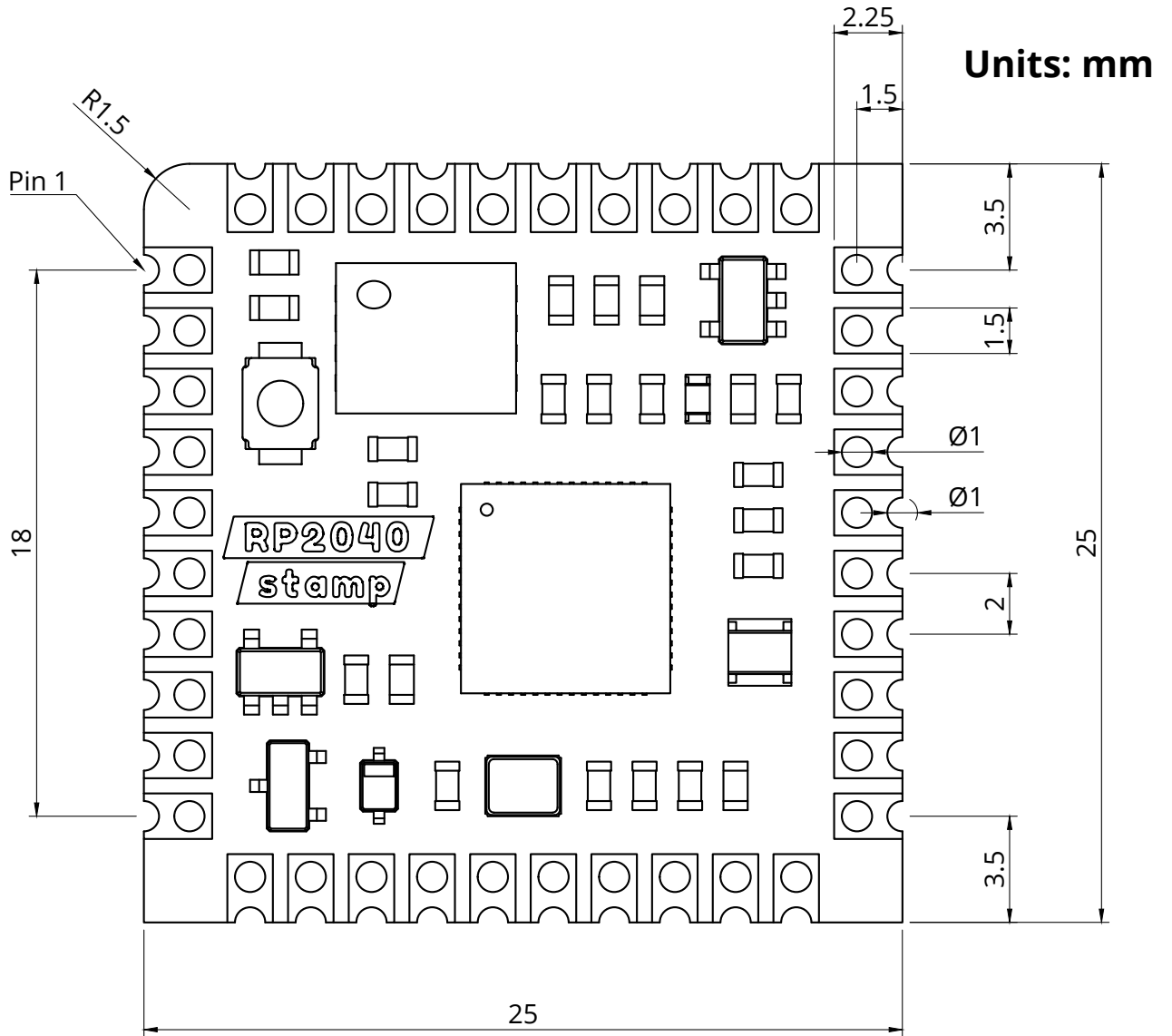


Figure 4: The dimensions of the RP2040 Stamp

8 Recommended PCB Land Pattern

9 Revision History

Revision	Date	Description
v0.2 alpha	December 2021	Update the LDO model
v0.1 alpha	May 2021	First release

10 Legal Notices

Solder Party AB believes the information contained herein is correct and accurate at the time of release. Solder Party AB reserves the right to make corrections, enhancements, and other changes to the product without further notice to improve reliability, function, or design. Solder Party AB reserves the right to make corrections, enhancements, and other changes to this document without further notice. Solder Party AB does not assume any liability arising out of this product, as well as any application or circuits described herein. Solder Party AB does not give any representations or warranties, expressed or implied, as to the accuracy or completeness of such information and shall have no liability for the consequences of use of such information.

The Solder Party AB name, and the Solder Party logo are trademarks of Solder Party AB. All other trademarks mentioned in this document are the property of their respective owners.

© 2021 Solder Party AB. All rights reserved.