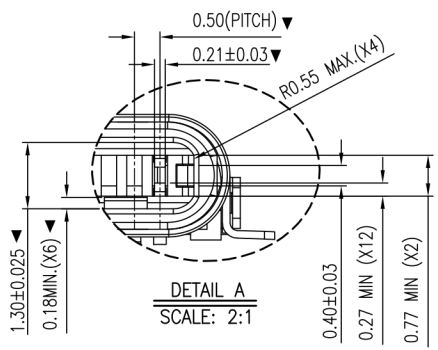
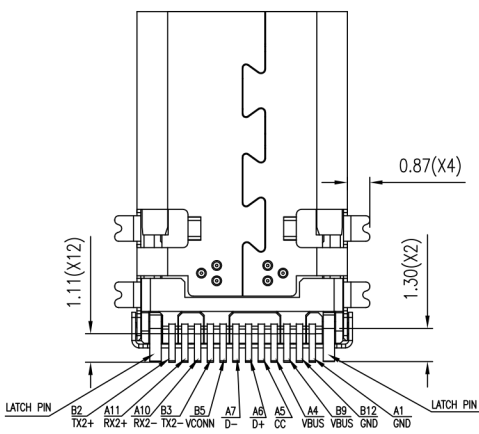
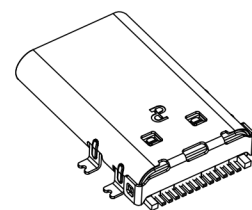
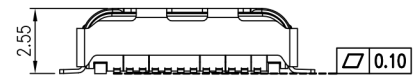
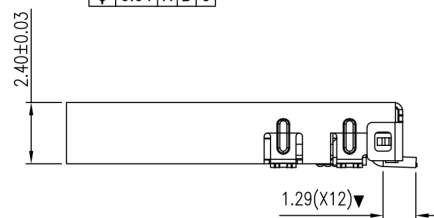
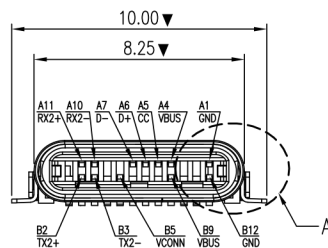
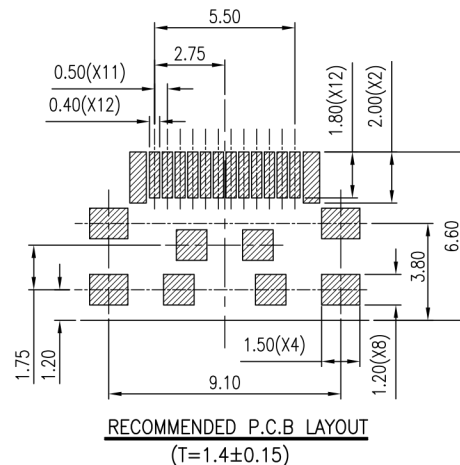
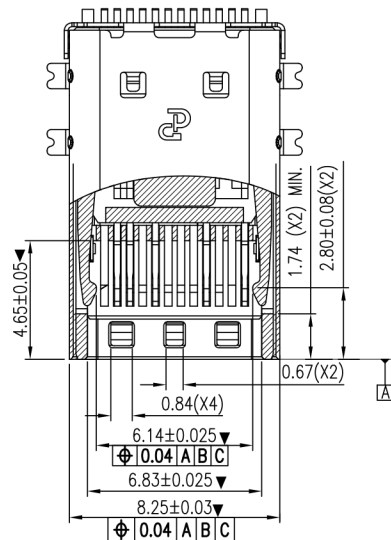
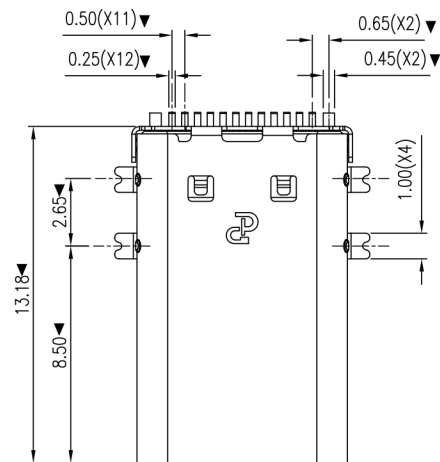


ABIDE BY RoHS, MEETS PT ENVIRONMENTAL Q3-7584



REV.	DESCRIPTION	ECN NO.	NEW DESIGNER
A	NEW RELEASE	\	ZXX 2018.03.19

- NOTES:
- MATERIALS:**
 SHELL: STAINLESS STEEL, T=0.15±0.01mm
 SPRING: STAINLESS STEEL, T=0.10±0.01mm
 LATCH: STAINLESS STEEL, T=0.40±0.01mm
 HOUSING: THERMOPLASTIC
 MOLDING1: HIGH-THERMOPLASTIC+ BRONZE, T=0.20±0.01mm
 MOLDING2: HIGH-THERMOPLASTIC+ BRONZE, T=0.20±0.01mm
 - PLATING:**
 CONTACT: CONTACT AREA Au PLATED 30u"Min. OR REFER TO THE PART NO. CODE DEFINED. UNDER PLATE 80u"Min. NICKEL OVERALL. 120u" Min. TIN PLATING ON SOLDER TAIL
 SHELL: 30u"Min. NICKEL PLATING OVERALL
 - ELECTRICAL PERFORMANCE:**
 INSULATION RESISTANCE: 100Mohm MIN.
 CONTACT RESISTANCE: 40mohm MAX.
 DIELECTRIC WITHSTANDING: 100 VAC
 CURRENT RATING: 3A MIN.
 - MECHANICAL PERFORMANCE:**
 MATING FORCE: 5~20N
 UNMATING FORCE: 8~20N
 DURABILITY: 10000 CYCLES
- PART NO. CODE
 UTC009- C * * - * *
- ① ② ③ ④ ⑤ ⑥
- SERIES:**
 UTC009: USB TYPE-C SMT PLUG, 12 POSITIONS
 - POSITIONS:**
 N: 12 POSITIONS.
 - INSULATOR COLOR:**
 K: BLACK
 B: BLUE
 W: WHITE
 C: CREAM-COLOR
 - CONTACT PLATING:**
 1: PLATED AU 1U" MIN
 2: PLATED AU 3U" MIN
 3: PLATED AU 10U" MIN
 4: PLATED AU 15U" MIN
 5: PLATED AU 30U" MIN
 - ENVIRONMENT:**
 O: RoHS
 H: HALOGEN FREE
 - WAY OF PACKING:**
 T: TRAY
 R: TAPE & REEL
 B: WATERPROOF BAG

GENERAL TOLERANCE X. ±0.38 .X ±0.25 .XX ±0.20 .XXX ±0.15	ANGLE TOLERANCE X' ±3.0° .X' ±2.0° .XX' ±1.0°	NAME (INTENDED USE): CUSTOMER DRAWING PART NO. CODE: UTC009-C**-**
MAJOR (QC CHECKED) ▽= 20 places	SCALE: 1:1	APPROVED:
CRITICAL: ▽= 1 places	UNIT: mm	CHECKED:
SHEET 1 OF 1	DESIGN:	

palfiCab
PALCABLES TECHNOLOGY CO., LTD.

TITLE:
USB TYPE-C PLUG
12 POSITIONS SMT TYPE

SERIES:	USB TYPE C	SIZE: A4
DRAWING NO.:	C-UTC009-00	REV.: A